

#### Specifications:

##### Description:

Halius Halor recessed Fixed LED spot Light with high quality led technology. It provides high lumen output, Eco friendly solution and its compact size makes it easy to install. Excellent heat dissipation, Various Reflector, offering uniform and comfortable light.

##### Construction:

- Die-cast aluminum construction with a powder coat paint finish.
- Rigid Construction.
- Uniform light distribution.
- Compact size and easy installation.
- Elegant look.

##### Performance:

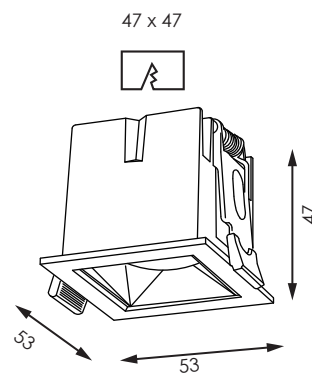
Input Power	5W
Voltage Input	AC220-240V
Freequency	50-60 Hz
Lumens/LPW	350lm/70lm/W
CCT	3000K
CRI	80+
Ktled	50000hrs
IP Grade	IP20
Min. Start Temp Max. Operating Temp	-20° C to 45° C
Warranty	5yrs
Labels	CE, ROHS

#### HL-LT-I-FSP-HALOR-05W-3000K-40D-W-DI

##### Image:



##### Dimensions:



##### Catalog number:

Eg: HL-LT-I-FSP-HALOR-05W-3000K-40D-W-DI

HL-LT-I-FSP-HALOR-05W -xxxxK - xxD - x - xx

B-Black

W-White

CCT	Beam	Finish	ND-Non Dimming
3000K	24°	B	DI-Dimming
4000K	40°	W	
6000K	50°		

#### HL-LT-I-FSP-HALOR-05W-3000K-40D-W-DI

##### Electrical Data

Driver Inc.	Yes
Dimming/Dimming option	Yes/DALI
Driver type	Constant Current
PF	>0.9
THD	≤ 20%

##### Mechanical Data

Length x Width	53x53mm
Height	47mm
Cut Out	47x47mm
Material	Dicast Aluminum
Fixed/Adjustable	Fixed
Adjustable angle	Nil
Finish	White/Black

##### Optical Data

Chip	CREE
Beam Angle	25°, 40°, 50°
SDCM(Macadam step)	< 3
CRI	>80+
CCT	3000K/4000K/6000K
Life Span	50000Hrs
Luminaire Efficiency(lm/W)	70lm/W
Luminaire Lumen(lm)	350lm

##### Thermal Data

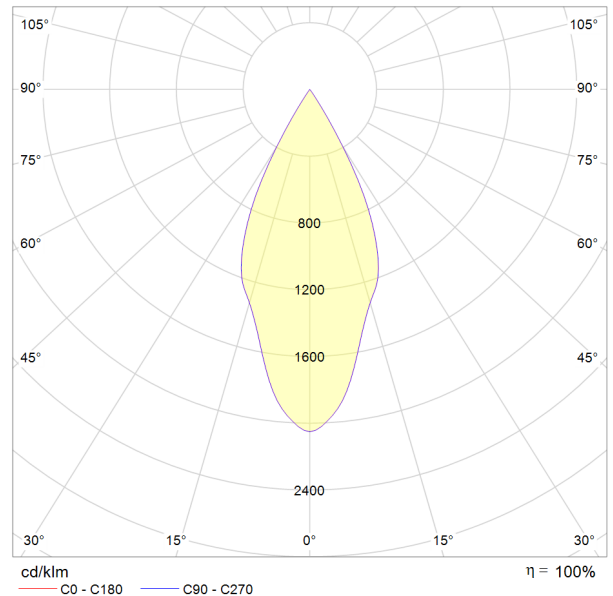
Working Temperature	-20° C to 45° C
Storage Temperature	-20°C to 60°C

##### Safety Data

IP	IP20
Safety Class	Class II
CE	YES
ROHS	YES

##### Photometrics

HL-LT-I-FSP-HALOR-05W-3000K-40D-W-DI  
 LED Light Engine: 3000K, 80 CRI System Wattage: 5W  
 Fixture Delivered Lumens: 350lm Fixture Efficacy: 70lm/W



##### Cone Diagram

0.5	0.42	E(0°) E(C0)	23.0°	23795 9312
1.0	0.85	E(0°) E(C0)	23.0°	5949 2328
1.5	1.27	E(0°) E(C0)	23.0°	2644 1035
2.0	1.70	E(0°) E(C0)	23.0°	1487 582
2.5	2.12	E(0°) E(C0)	23.0°	952 372
3.0	2.55	E(0°) E(C0)	23.0°	661 259

Distance [m]      Cone Diameter [m]      Illuminance [lx]

\*\*\*Dimming capabilities will vary depending on the dimmer control, load, and circuit installation. \*\*\*Always refer to dimmer manufacturer instructions or a controls specialist for specific requirements.