

Specifications:

Description:

Halius Leandra LED Spike Light light with high quality led technology. It provides high lumen output, Eco friendly solution. Rigid construction, Easy to install and long life time. Tempered glass lens. Sealed with high temperature adhesive to prevent water intrusion and breakage due to thermal shock .

Construction:

- Die-cast aluminum construction.
- Tempered glass.
- Precise optic design provides exceptional and precise distribution.
- Easy installation.
- Suitable for spike light application with IK09 .
- Long working life .

Performance:

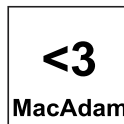
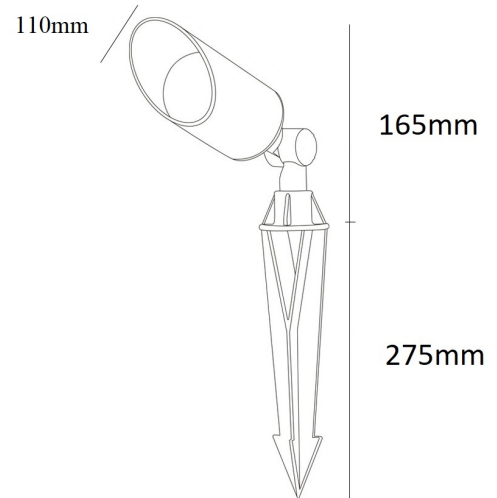
Input Power	20W
Input Voltage	220-240Vac 50/60Hz
Input Current	0.1A
Lumens/LPW	1900m/95lm/W
CCT	3000K/4000K/6000K
CRI	80+
Life	50000hrs
UGR	<19
Min. Start Temp Max. Operating Temp	-30° C to 50° C
Warranty	5yrs
Labels	CE, ROHS

HL-LTG-O-SK-LEAN-R-20W-3000K-25D-B-ND

Image:



Dimensions:



Catalog number:

Eg: HL-LTG-O-SK-LEAN-R-20W-3000K-25D-B-ND

HL-LTG-O-SK-LEAN-R-20W - xxxxK - xxD - xx - xx

B-Black	CCT	Beam	Finish	DI-Dimmable
C-Custom Colour	3000K	15°	B	ND-Non Dimmable
GR-Grey	4000K	25°	GR	
	6000K	36°	C	

HL-LTG-0-SK-LEAN-R-20W-3000K-25D-B-ND

Electrical Data

Driver Voltage	24V/230VAC
Driver Current	0.85A/0.09A
Driver Inc.	No
Dimming	No
Dimming option	1-10V, DALI, Phase cut
Driver type	Constant Voltage

Mechanical Data

Dimeter	110mm
Height	165mm
Rotation	180°
Material	Dicast Aluminum
Fixed/Adjustable	Adjustable
Finish	Black/Grey

Optical Data

Chip	Cree
Beam Angle	15°, 25°, 36°
SDCM(Macadam step)	<3
CRI	>80
CCT	3000K/4000K/6000K
Life Span	50000Hrs
Luminaire Efficiency(lm/W)	95lm/W
Luminaire Lumen(lm)	1900lm

Thermal Data

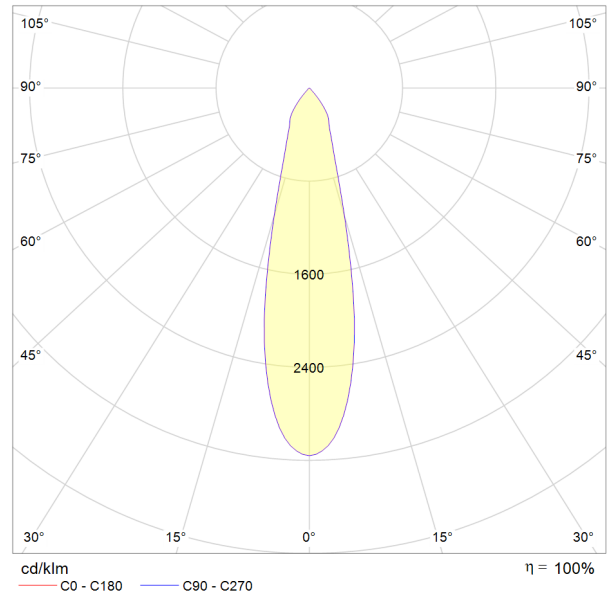
Working Temperature	-20° C to 50° C
Storage Temperature	-20°C to 60°C

Safety Data

IP	IP67
IK	IK09
CE	YES
ROHS	YES
Safety Class	Class III

Photometrics

HL-LTG-0-SK-LEAN-R-20W-3000K-25D-B-ND
 LED Light Engine: 3000K, 84 CRI System Wattage: 20W
 Fixture Delivered Lumens: 1900lm Fixture Efficacy: 96lm
 Spacing Criteria: 1.2



Cone Diagram

Distance [m]	Cone Diameter [m]	E(0°) E(C0)	13.0°	Illuminance [lx]
0.5	0.23	58763 27378		
1.0	0.46	14691 6845		
1.5	0.69	6529 3042		
2.0	0.92	3673 1711		
2.5	1.15	2351 1095		
3.0	1.39	1632 761		

Distance [m] Cone Diameter [m] Illuminance [lx]
 — C0 - C180 (half-peak divergence: 26.0°)

***Dimming capabilities will vary depending on the dimmer control, load, and circuit installation. *** Always refer to dimmer manufacturer instructions or a controls specialist for specific requirements.