

Specifications:

Description:

Halius Magno magnetic track light with high quality led technology. It provides high lumen output, Eco friendly solution and Unique combination of reflection and refraction of optical component provides uniform, smooth and comfortable light.

Construction:

- Die-cast aluminum construction with a powder coat paint finish.
- Rigid Construction.
- Uniform light distribution.
- Compact size and easy installation.
- Elegant look.

Performance:

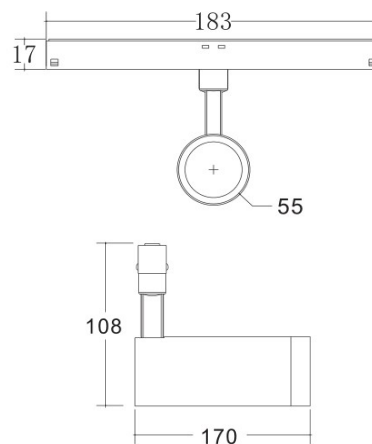
Input Power	15W
Voltage Input	48Vdc
Mount	Magnetic Track
Lumens/LPW	1500lm/100lm/W
CCT	3000K
CRI	80+
Kltd	50000hrs
UGR	<20
Min. Start Temp Max. Operating Temp	-20° C to 45° C
Warranty	5yrs
Labels	CE, ROHS

HL-LTG-I-TL-MAGN-015W-3000K-36D-B-DI

Images:



Dimensions:



Catalog number:

Eg: HL-LTG-I-TL-MAGN-015W-3000K-36D-W-DI

B-Black

W-White

HL-LTG-I-TL-MAGN-015W- -xxxxK - xxD - x - xx

CCT	Beam	Finish	ND-Non Dimming
3700K	15°	B	DI-Dimming
4000K	24°	W	
6000K	36°		

HL-LTG-I-TL-MAGN-015W-3000K-36D-B-DI

Electrical Data

Driver Inc.	Yes
Dimming/Dimming option	Yes/1-10V
Driver type	Constant Voltage
PF	>0.9
THD	≤ 20%

Mechanical Data

Diameter	55mm
Height	170mm
Material	Dicast Aluminum
Fixed/Adjustable	Adjustable
Adjustable angle	360° & 90°
Finish	White/Black

Optical Data

Chip	CREE
Beam Angle	15°, 24°, 36°
SDCM(Macadam step)	< 3
CRI	>80+
CCT	2700K/3000K/4000K/6000K
Life Span	50000Hrs
Luminaire Efficiency(lm/W)	100lm/W
Luminaire Lumen(lm)	1500lm
Reflector Type	Aluminum with Glass Diffuser

Thermal Data

Working Temperature	-20° C to 45° C
Storage Temperature	-20°C to 60°C

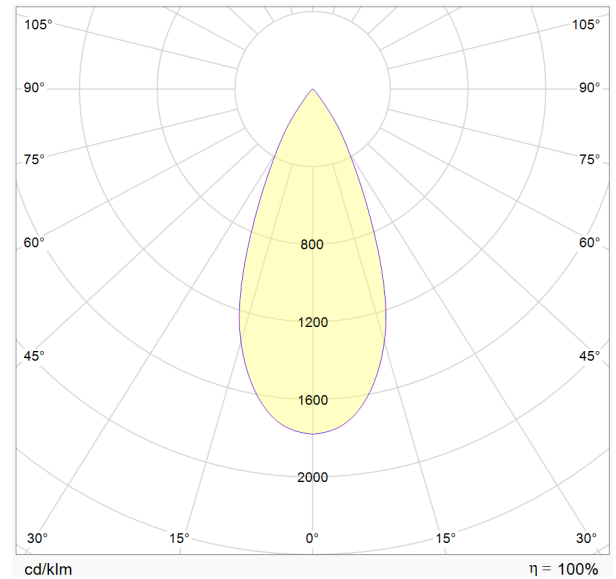
Safety Data

IP	IP20
Safety Class	Class II
CE	YES
ROHS	YES

Photometrics

HL-LTG-I-TL-MAGN-015W-3000K-36D-B-DI

LED Light Engine: 3000K, 80 CRI System Wattage: 15W
 Fixture Delivered Lumens: 1500lm Fixture Efficacy: 100lm/W



Cone Diagram

0.5	0.41	E(0°)	10679
		E(C0)	4258
1.0	0.81	E(0°)	2670
		E(C0)	1065
1.5	1.22	E(0°)	1187
		E(C0)	473
2.0	1.62	E(0°)	667
		E(C0)	266
2.5	2.03	E(0°)	427
		E(C0)	170
3.0	2.44	E(0°)	297
		E(C0)	118
Distance [m]	Cone Diameter [m]	Beam Angle [°]	Illuminance [lx]

***Dimming capabilities will vary depending on the dimmer control, load, and circuit installation. *** Always refer to dimmer manufacturer instructions or a controls specialist for specific requirements.