

Specifications:

Description:

Halius Troop LED Linear Sports Light with high quality led technology. Anti-glare reflector and diffuser designs, Quality light with no noise, flickering, IR or UV radiation. Excellent heatsink design. This product is ideal for Sports lighting, Multipurpose hall and Warehouse lighting.

Construction:

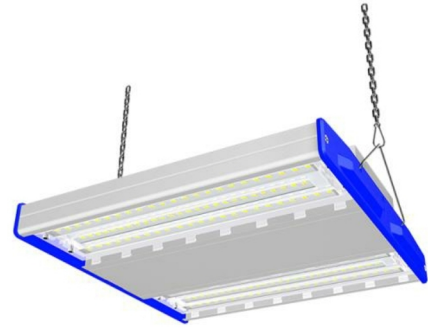
- Extruded/Diecast aluminum construction with Anodized silver finish.
- Low glare light.
- Uniform light distribution.
- Compact size and easy installation.
- Elegant look.

Performance:

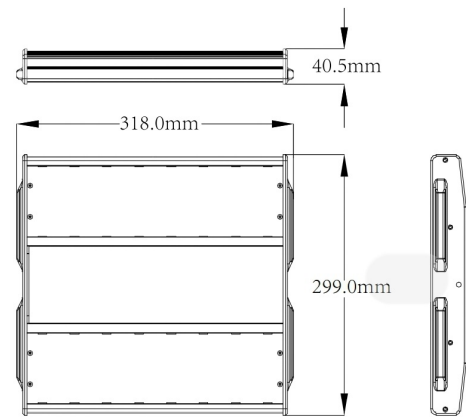
Input Power	150W
Voltage Input	AC220-240V
Freequency	50-60 Hz
Lumens/LPW	22500lm/150lm/W
CCT	3000K/4000K/6000K
CRI	90+
Life	60000hrs
UGR	<20
Min. Start Temp Max. Operating Temp	-30° C to 50° C
Warranty	6yrs
Labels	CE, ROHS

HL-LTG-ILP-TROO-150W-6000K-120D-SL-DI

Image:



Dimensions:



Catalog number:

Eg: HL-LTG-ILP-TROO-150W-4000K-30D-B-ND
SL-Silver

HL-LTG-ILP-TROO-150W	-xxxxK -	xxxD -	x -	xx
	CCT	Beam	Finish	DI-Dimming
	3000K	60°	SL	ND-Non Dimming
	4000K	90°		
	6000K	120°		

HL-LTG-ILP-TROO-150W-6000K-120D-SL-DI

Electrical Data

Driver Supply Voltage	AC220-240V
Driver Inc.	Yes
Dimming	Yes/DALI
Dimming option	1-10V, DALI, Phase cut
Driver type	Constant Current
PF	>0.95
THD	≤ 10%

Mechanical Data

LengthxWidth	318x299mm
Height	40.5mm
Material	Dicast Aluminum
Fixed/Adjustable	Fixed
Adjustable angle	120°
Finish	Anodized Silver
Rotation Angle	360°

Optical Data

Chip	CREE
Beam Angle	60°, 90°, 120°
SDCM(Macadam step)	< 3
CRI	>80 +/90+
CCT	3000K/4000K/6000K
Life Span	50000Hrs
Luminaire Efficiency(lm/W)	150lm/W
Luminaire Lumen(lm)	22500lm

Thermal Data

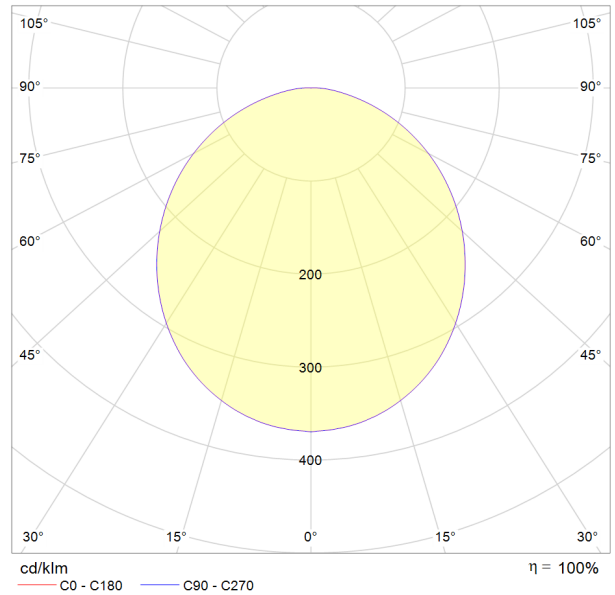
Working Temperature	-30° C to 50° C
Storage Temperature	-30°C to 60°C

Safety Data

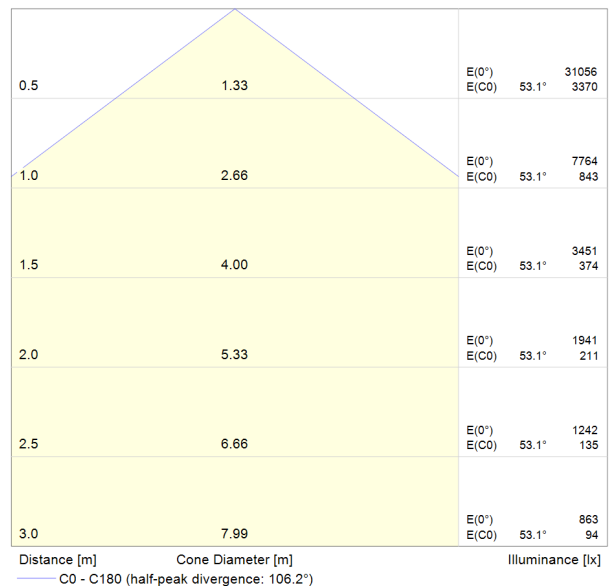
IP	IP65
IK	IK09
Safety Class	Class II
CE	YES
ROHS	YES

Photometrics

HL-LTG-ILP-TROO-150W-6000K-120D-SL-DI
 LED Light Engine: 6000K, 80 CRI System Wattage: 150W
 Fixture Delivered Lumens: 21000lm
 Fixture Efficacy:140.00lm/W



Cartesian Diagram



***Dimming capabilities will vary depending on the dimmer control, load, and circuit installation. *** Always refer to dimmer manufacturer instructions or a controls specialist for specific requirements.